



Infrared Distribution System

8050 Series

The 8050 product series forms a flexible, cost effective multi-zone Infrared Distribution System, which can be used in isolation or as part of the Clipsal StarServe Home Networking range.

Most homes have audio/visual systems that incorporate infrared control to operate source functions such as play, stop, channel up and down etc. Clipsal's Infrared Distribution System allows the control of source functions from different rooms or the control of source equipment located in a solid cabinetry.

Additionally, Clipsal's Infrared Distribution system provides two independently controlled IR zones for installations where multiple set-top-boxes may be installed, with matching remotes.

This allows the homeowner to only control particular source equipment in certain areas of the home. For example, Set Top Box 1 can be controlled in the Bedrooms and Lounge; Set Top Box 2 can only be controlled in the Family Room and Kitchen.

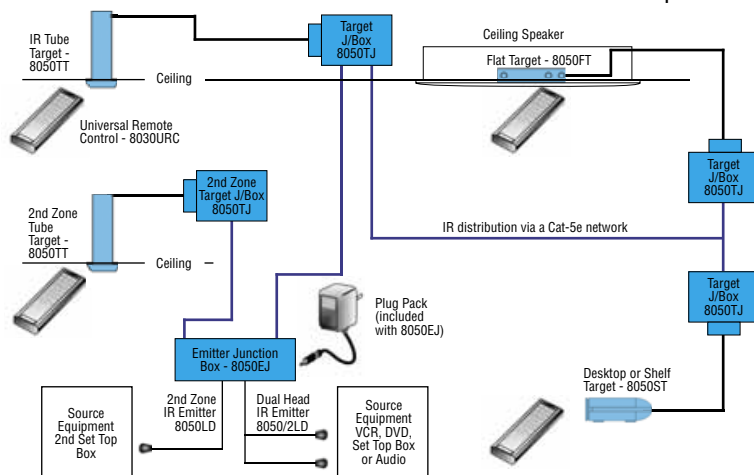
IR emitter leads (8050LD or 8050/2LD) are connected to either Zone A (1st Zone) or Zone B (2nd Zone) of the 8050EJ and are run to the desired source equipment, where the head of the lead is positioned on or near the IR receiver.

A connection from the Zone A or Zone B connection point on a 8050EJ to a 8050TJ unit is made via Cat-5e cable, which terminates in the RJ45 sockets

of both units. Both the 8050EJ (Zone B only) and 8050TJ junction boxes provide a further RJ45 socket to enable multiple junction boxes to be connected into the IR Distribution Network.

Targets can then be plugged into the 8050TJ and placed at desired locations around the home.

The system can be expanded to have more IR targets and IR emitters as required.



Typical System Diagram demonstrating how the individual components can be installed to form an IR Distribution System

System Components

IR Distribution System Emitter Junction Box



The 8050EJ has been designed to sit on top of or near the AV equipment. It is the main distribution hub of the IR Distribution Network.

The unit connects to the distribution system as follows.

IR Emitter Ports – There are five output connections for IR Emitter leads. Emitter Output 1 is dedicated for Zone A, Emitter Output 5 is dedicated to Zone B, Emitter Outputs 2,3 and 4 can be used by either zone.

RJ45 Connections – The Emitter Junction Box has three RJ45 connections, allowing Target Junction boxes to be networked via a Cat-5 connection. RJ45 Output 1 is dedicated to Zone A, while Zone B has the ability to supply two Target Junction Boxes, via RJ45 Outputs 2 and 3.

Local target connections – Both Zone A and B have the ability to power one locally placed target each directly.

IR Distribution System Target Junction Box



The 8050TJ acts as a termination point between an IR Target and the 8050EJ. It has the ability to enable the installation to loop to the next 8050TJ.

The 8050TJ can be mounted onto a Clipsal Wall Plate (eg 2000, Classic, Slimline and Eclipse series), as well as inside a cabinet or wall stud.

IR Targets

These targets contain an infrared receiver array, designed to receive and relay IR data from required locations to the centrally located Emitter Junction Box. An Infrared Target may be installed in each room of the house, allowing the user to control audio/visual equipment (such as VCRs, Cable TV Decoders, CD Players etc) from each required location.

There are three types of targets that can be used on the IR Distribution system.

8050ST

IR Distribution System Shelf Top Target

Suitable for use on top of TV's or inside Stereo cabinets.



8050TT

R Distribution System Tube Target

Suitable for use in speaker grills and air conditioning vents.



8050FT

IR Distribution System Flat Target

Can be mounted behind Clipsal Slimline, Eclipse, Classic and 2000 series grid plates.



Product Specifications

Catalogue Number	Description
8050EJ	IR Distribution System Emitter Junction Box
8050TJ	IR Distribution System Target Junction Box
8050SJ	IR Distribution System Self Junction Box
8050TT	IR Distribution System Tube Junction Box
8050FT	IR Distribution System Flat Junction Box

Clipsal Integrated Systems Pty Ltd

Head Office

12 Park Terrace, Bowden
South Australia 5007
PO Box 103 Hindmarsh
South Australia 5007
Telephone (08) 8269 0560
International +61 8 8269 0560
Facsimile (08) 8346 0845
International +61 8 8346 0845
Internet www.clipsal.com/cis
E-Mail cispl@clipsal.com.au

International Enquiries

Head Office Export Department

Telephone +61 8 8269 0587
Facsimile +61 8 8340 7350
E-Mail export@clipsal.com.au

New Zealand

Clipsal Industries (NZ) Ltd (Auckland)
Telephone +64 9 576 3403
Facsimile +64 9 576 1015
E-Mail headoffice@clipsal.co.nz

Malaysia

Clipsal Integrated Systems (M) Sdn Bhd
Unit 3-2 Level 3, CP Tower
No 11, Jalan 16/11, Pusat Dagang Seksyen 16
46350 Petaling Jaya
Selangor Darul Ehsan, Malaysia
Telephone +60 3 7665 3555
Facsimile +60 3 7665 3155
E-Mail clipsal@clipsaltech.com.my

Singapore

CIS Pte Ltd (Singapore)
No. 8, Jurong Town Hall Road
#24-05-06 The JTC Summit
Singapore 609434
Telephone +65 266 1998
Facsimile +65 266 3922
E-Mail clipsal@clipsaltech.com.sg

International Representatives

China

Clipsal China Ltd
Telephone +86 755 246 1122

Greece

Clipsal Hellas S.A.
Telephone +30 1 0993 9165

Hong Kong

Clipsal Integrated Systems (HK) Limited
Telephone +852 2 487 0261

South Africa

Clipsal South Africa (Pty) Ltd
Telephone +27 11 314 5200

Taiwan

Clipsal (Taiwan) Co Ltd
Telephone +886 2 2558 3456

Thailand

Clipsal Thailand Ltd
Telephone +66 2 952 5338

United Kingdom

Clipsal Ltd (UK)
Telephone +44 1494 521 111



© Copyright Clipsal Integrated Systems Pty Ltd 2003-2005