

DESKTOP



C-5000CTD2-BK - without Logic Engine  
C-5000CTDL2-BK - with Logic Engine



C-5000CTD2-GY - without Logic Engine  
C-5000CTDL2-GY - with Logic Engine



C-5000CTD2-WE - without Logic Engine  
C-5000CTDL2-WE - with Logic Engine

# CLIPSAL®

by Schneider Electric

# CLIPSAL®

by Schneider Electric

...featuring on the big screen

SATURN™



C-5080CT2-GF - without Logic Engine  
C-5080CTL2-GF - with Logic Engine



C-5080CT2-3 - without Logic Engine  
C-5080CTL2-3 - with Logic Engine



C-5080CT2-7 - without Logic Engine  
C-5080CTL2-7 - with Logic Engine



C-5080CT2-6 - without Logic Engine  
C-5080CTL2-6 - with Logic Engine

NEO™



C-5050CT2-GB - without Logic Engine  
C-5050CTL2-GB - with Logic Engine



C-5050CT2-WE - without Logic Engine  
C-5050CTL2-WE - with Logic Engine



C-5050CT2-28 - without Logic Engine  
C-5050CTL2-28 - with Logic Engine



C-5050CT2-BK - without Logic Engine  
C-5050CTL2-BK - with Logic Engine

METAL PLATE™



C-B55000CT2 - without Logic Engine  
C-B55000CTL2 - with Logic Engine

PLASTIC PLATE™



C-SC5000CT2-WE - without Logic Engine  
C-SC5000CTL2-WE - with Logic Engine



C-SC5000CT2-CM - without Logic Engine  
C-SC5000CTL2-CM - with Logic Engine



C-SC5000CT2-BK - without Logic Engine  
C-SC5000CTL2-BK - with Logic Engine



## Clipsal Australia Pty Ltd

A member of Schneider Electric

### Head Office

33-37 Port Wakefield Road,  
Gepps Cross, South Australia 5094

### CIS Technical Support Hotline:

Australia	1300 722 247
New Zealand	0800 888 219
Northern Asia	+852 2484 4157 (Hong Kong)
South Africa	011 314 5200
Southern Asia	+603 7665 3555 x236 or 242
United Kingdom	+44 870 608 8 608
Technical Support Email	cis_support@clipsal.com.au

### National Customer Care Enquiries:

**1300 2025 25**

### National Customer Care Facsimile:

**1300 2025 56**

### New Zealand

Schneider Electric (NZ) Ltd Tel +64 9 829 0490

### Malaysia

Clipsal Integrated Systems (M) Sdn Bhd  
Tel +60 3 7665 3555

### Singapore

Clipsal Integrated Systems Pte Ltd  
Tel +65 6415 3232/3233

### China

Clipsal China Limited  
Tel +86 755 8237 5959

### Greece

Schneider Electric AE Tel +30 69 4646 3200

### Hong Kong

Clipsal Integrated Systems (HK) Limited  
Tel +852 2487 0261

### India

Schneider Electric India Pvt Ltd  
Tel +91 11 5159 0000

### Indonesia

PT Clipsal Graha Nusa Tel +62 21 630 6430

### Korea

Clipsal Korea Co. Ltd Tel +82 549 5550

### Pakistan

Clipsal Pakistan (Pvt) Ltd Tel +92 21 506 7278

### Philippines

Clipsal Philippines Inc. Tel +632 683 0275-78

### South Africa

Clipsal South Africa (Pty) Ltd Tel +27 11 314 5200

### Taiwan

Clipsal (Taiwan) Co Ltd Tel +886 2 2558 3456

### Thailand

Clipsal Thailand Ltd Tel +66 2 952 5338-42

### United Arab Emirates

Clipsal Middle East Tel +971 6 5570 777

### United Kingdom

Clipsal Integrated Systems  
c/o Schneider Electric Tel +44 870 608 8 608

### Vietnam

Clipsal - VTEC Tel +848 856 3002

You can find this datasheet and many others online in PDF format at: [clipsal.com](http://clipsal.com)

[clipsal.com/cis](http://clipsal.com/cis)

Clipsal Australia Pty Ltd reserves the right to change specifications, modify designs and discontinue items without incurring obligation and whilst every effort is made to ensure that descriptions, specifications and other information in this catalogue are correct, no warranty is given in respect thereof and the company shall not be liable for any error therein.

© Clipsal Australia Pty Ltd

This material is copyright under Australian and international laws. Except as permitted under the relevant law, no part of this work may be reproduced by any process without prior written permission of and acknowledgement to Clipsal Australia Pty Ltd. The identified trademarks and copyrights are the property of Clipsal Australia Pty Ltd unless otherwise noted.

CIS2-011

- › Powered from C-Bus
- › Proximity sensing for control or screen wake up
- › Built on the proven B&W MKII touch screen technology
- › 65k colour display
- › Share fascias with B&W MKII Series
- › Available in logic and non-logic versions
- › RS232 port for third party integration
- › USB programming port available from the front

# C-Bus®

CONTROL SPECTRUM

## Colour Touch Screen

The Clipsal C-Touch Spectrum builds on the success of the B&W MKII Touch screens with new features and a bright new appeal. The unit connects directly to the C-Bus network where it is wholly powered via a dedicated four-way removable phoenix connector, which is located on the rear of the in-wall unit, and under the base of the desktop unit.

In-wall models take advantage of the same mounting hardware as the B&W MKII model. The range of fascias for the in-wall version, include the sensing loop for the proximity sensing feature whilst the desktop has this feature built in.

## Installer Features

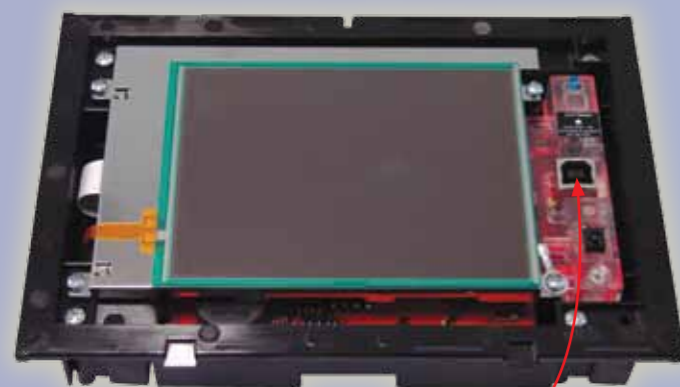
To ensure the in-wall unit is fast and easy to install in clad walls, mounting wings provide easy fit-off without the need for wall plates or plaster brackets. Further installer benefits include:

- › Programming via a standard USB port on the front (under the fascia for the in-wall models) or on the side of the unit
- › USB port can be used as a PC interface to the C-Bus system
- › Uses same installation hardware and accessories as the B&W MKII Series product
- › Available with or without C-Bus Logic Engine
- › Powered wholly from C-Bus
- › Desktop version can be fixed to the table top.

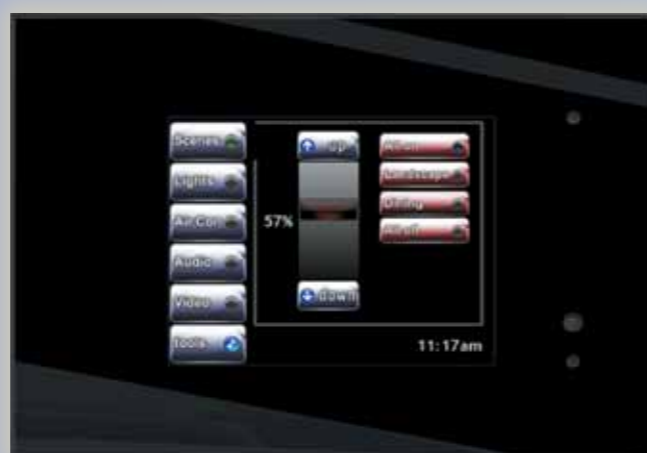
## User Features

To provide the user with an improved interface, the following has been included:

- › Wide range of fascia colours and styles are available
- › Anti-fingerprint screen
- › 65k colour screen
- › Proximity sensing for wake-up and control functions.



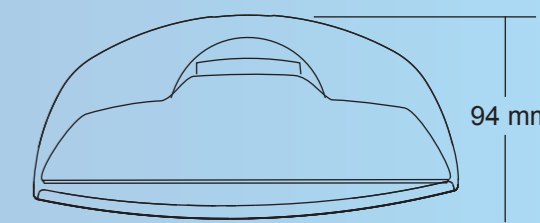
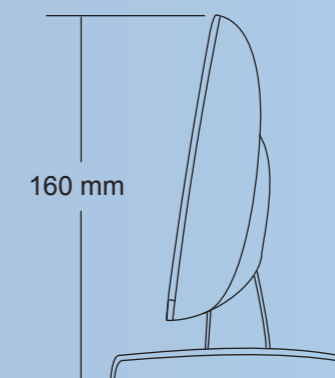
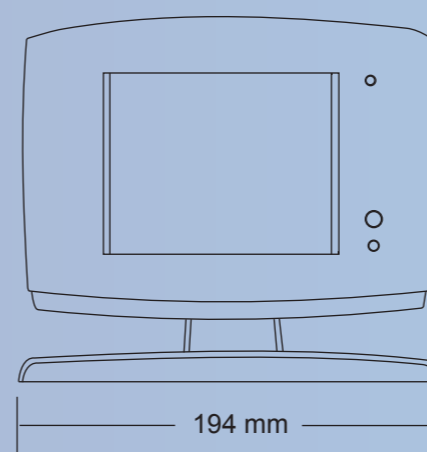
USB programming port accessible by removing the fascia.



Full colour LCD screen.

Parameter	Description
Display Type	4.7" (119mm) CSTN LCD, 320 x 240 pixels, 65,536 colours
Display Luminance	120cd/m <sup>2</sup>
Viewing Angle	Left/right: 50°, Up: 70°, Down: 40°. The desktop unit has a 45° backward angle of tilt from vertical.
Backlight Type	White LED with proximity sensor (the proximity feature can be switched off and configured)
Touch Surface Durability	1 million presses (typical)
C-Bus Supply Requirement	15 to 36Vd.c. @ 75mA required for normal operation. Does not provide current to the C-Bus network
C-Bus Connection Type	Wall mount: Four wire terminal block (phoenix type) Desktop: Single RJ45 connection
AC Impedance	13kΩ @ 1kHz
Maximum Number of Controlled Loads	255 group addresses on each of 10 applications
Network Clock	Software selectable
Network Burden	Software selectable
Programming Port	Wall mount unit: USB type B – on front, behind fascia Desktop unit: USB type B – on upper side of fascia
Third Party Interface	RS-232 port (logic engine models only)
RS-232 Connection Type	3.5mm stereo style socket
Warm-Up Time	<10 seconds
Operating Temperature	0 to 40° C (32 to 104° F)
Operating Humidity	10 to 90% RH
Dimensions	See diagram below

## Desktop



Cat. No.	Description
5000CT2WB	Wall box external dimension 179.5 x 122.5 x 55mm
5000CT2RS232	RS232 lead for integrating with third party devices

## In-Wall Mounted

Shown: 5080CTL2 with Saturn fascia attached.

