



NILES®



# CM760DSFX

## 7" DIRECTED SOUNDFIELD SURROUND EFFECTS

CEILING MOUNT LOUDSPEAKER

---



**7" Directed Soundfield Surround Effects Loudspeaker with Pivoting Woofer and Tweeter**

- 7" Interlaced Glass Fiber Woofer
- Dual 1" Teteron® Tweeters

SPECIFICATIONS SHEET

## 7 INCH DIRECTED SOUNDFIELD SURROUND EFFECTS CEILING MOUNT LOUSPEAKER

### 7" Directed Soundfield Surround Effects Loudspeaker with Pivoting Woofer and Tweeter

CM760DSFX

Stock Number

FG01311



#### Features

- Fully pivoting, patented woofer assembly focuses the bass and midrange tones directly into the listening area (pivots up to 20°)
- Twist & Lock™ baffle and frame mechanism facilitates quick installation and trouble-free upgrades
- Integrated woofer/baffle design delivers greater low frequency response by employing a 7" woofer where competitive models of the same outer size employ 6 1/2" woofers
- Butyl rubber cone surround damps resonance and provides exceptional durability
- Dual 1" pivoting fluid-cooled Teteron® dome tweeters offer ultra-wide dispersion and silky-smooth high-frequency response
- Bridge-mounted surround effects (FX) tweeter array directs the high-frequency sounds at opposing angles to create realistic surround sound effects
- Includes flush-mount MicroPerf™ aluminum grille for a clean and unobtrusive look
- Adjustable Dipole/Bipole and effects level controls provide for optimum room matching

#### Specifications

- Frequency Response: 52Hz to 21kHz +/-3dB
- Impedance: 8 ohm nominal; 6 ohm minimum
- Recommended Amplifier Power: 10 to 150 Watts
- Frame Dimensions: 11 inches
- Hole cutout dimensions: 9 3/4 inches
- Depth behind ceiling: 5 7/8 inches

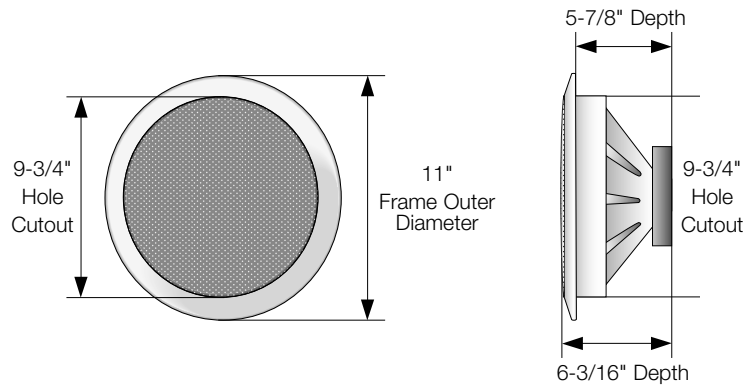
Warranty: Lifetime limited

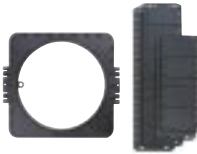
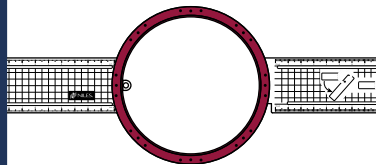


US Patent: 6, 683, 963



CES Innovations Design & Engineering Award

## PRODUCT CONSTRUCTION AND ACCESSORIES



Loudspeaker Model		Works With			
Model	Stock Number	Previous Bracket	New Bracket	Metal Enclosure	Hole Cover
CM760DSFX	FG01311	 DS8 Series Bracket Kit FG01053	 CM700DS BKT FG01357	 CM700 DSCE FG01397	 CM700DS Hole Cover FG01318