



NILES®



# CM950SUB

**9" CEILING MOUNT** PASSIVE SUBWOOFER



## 9" Ceiling Mounted Passive Subwoofer

- 9" TCC™ (talc, carbon, and Ceramic-Filled) Woofer
- Butyl Rubber Surround

SPECIFICATIONS SHEET

**9 INCH CEILING MOUNT PASSIVE SUBWOOFER**
**9" Passive Subwoofer**
**CM950SUB**
Stock Number

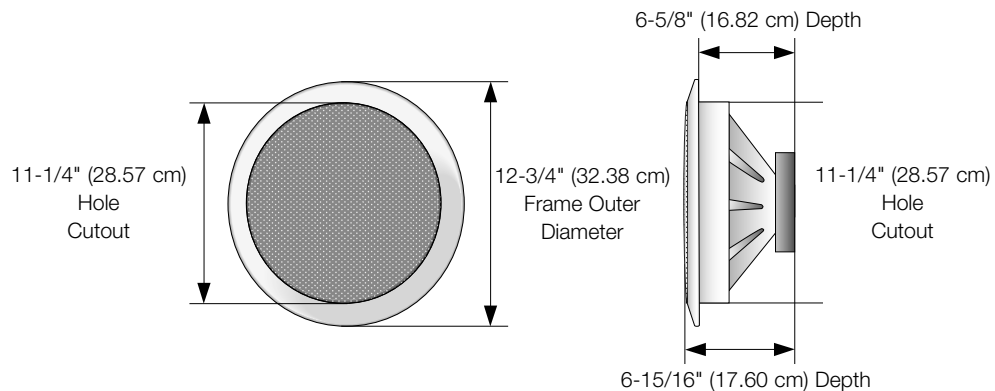
FG01322




**Features**

- Integrated woofer/baffle design delivers greater low frequency response by employing a 9" woofer where competitive models employ 8-inch woofers
- Twist & Lock™ baffle and frame mechanism facilitates quick installation and trouble-free upgrades
- Injection-molded TCC™ (Talc, Carbon, and Ceramic-filled) cone is extremely rigid to reduce breakup, lower distortion and provide enhanced bass response
- Butyl rubber surround damps resonance and provides exceptional durability
- Includes flush-mount MicroPerf™ aluminum grille for a clean and unobtrusive look
- Adjustable low pass (100Hz or 140Hz) and switchable high pass (on or off), provides for precise matching to room acoustics and satellite loudspeakers

**Specifications**

- Frequency Response: 33Hz to 140kHz +/-4dB
- Impedance: 8 ohm nominal; 6 ohm minimum
- Recommended Amplifier Power: 10 to 150 Watts
- Frame Dimensions: 12 3/4 inches (32.38 cm)
- Hole cutout dimensions: 11 1/4 inches (28.57 cm)
- Depth behind ceiling: 6 5/8 inches (16.82 cm)

**Warranty: Lifetime Limited**
**P RODUCT CONSTRUCTION AND ACCESSORIES**


Loudspeaker Model		Works With	
Model	Stock Number	New Bracket	Hole Cover
CM950SUB	FG01322	 CM900 BKT FG01358	 CM900 Hole Cover FG01325