



NILES®



CM960SUB

9" CEILING MOUNT PASSIVE SUBWOOFER



9" Ceiling Mount Passive Subwoofer

- 9" Interlaced Glass Fiber Woofer
- Butyl Rubber Surround

SPECIFICATIONS SHEET

9 INCH CEILING MOUNT PASSIVE SUBWOOFER

9" Passive Subwoofer

CM960SUB

Stock Number

FG01323



Features

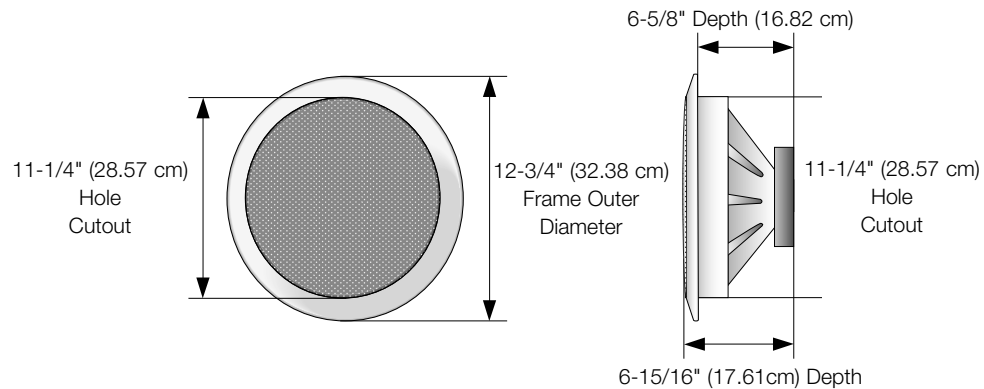
- Integrated woofer/baffle design delivers greater low frequency response by employing a 9" woofer where competitive models employ 8-inch woofers
- Twist & Lock™ baffle and frame mechanism facilitates quick installation and trouble-free upgrades
- Interlaced glass fiber cone is lightweight yet extremely rigid for deep, powerful bass response
- Butyl rubber surround damps resonance and provides exceptional durability
- Includes flush-mount MicroPerf™ aluminum grille for a clean and unobtrusive look
- Adjustable low pass (100Hz or 140Hz) and switchable high pass (on or off), provides for precise matching to room acoustics and satellite loudspeakers


Specifications

- Frequency Response: 31Hz to 140kHz +/-4dB
- Impedance: 8 ohm nominal; 6 ohm minimum
- Recommended Amplifier Power: 10 to 150 Watts
- Frame Dimensions: 12 3/4 inches (32.38 cm)
- Hole cutout dimensions: 11 1/4 inches (28.57 cm)
- Depth behind ceiling: 6 5/8 inches (16.82 cm)

Warranty: Lifetime Limited

PRODUCT CONSTRUCTION AND ACCESSORIES



Loudspeaker Model		Works With	
Model	Stock Number	New Bracket	Hole Cover
CM960SUB	FG01323	 <p>CM900 BKT FG01358</p>	 <p>CM900 Hole Cover FG01325</p>