

# CONTEN™ MINI SYSTEM

## → INTRODUCTION

> The **REFLEX™ CONTEN™ MINI SYSTEM** is the smaller brother to the **CONTEN™** large area awning and shares the same tensioning system on a much smaller scale. The cover contains both the fabric storage/tension spring mechanism as well as the motor drive roller and adjusting hardware to create a fabric tensioning system which presents a unique window covering for angled or skylight glazed areas.

## APPLICATION

> The most popular application is the wintergarden or roof window situation where several panes of glass are separated by a mullion of various depths and widths and materials. The system will have either end motorised and the drive rollers of each individual blind shall be interconnected with a steel drive shaft passing through or in front of these mullions. This design will ensure cost effective and unified window coverage.

## SPECIFICATIONS

> The preselected fabric element is stored on a 40 mm, pretensioned, aluminium, spring roller which is positioned behind the fascia, adjacent to the 50 mm, motor roller.

The aluminium motor roller, houses the electronic tubular motor and drive system.

To the perimeter of the motor roller are attached the 1.5 mm, nylon coated, stainless steel, adjustable tension, pull wires.

The pull wires then attach to the traction (or hem) rail, on the leading edge of the fabric element, via acetal return sheaves mounted at the extremity of the 40 mm x 25 mm aluminium side guide rails.

The turning effort of the motor roller pulls the wires, and the fabric, out from behind the fascia towards the end of the guide rails to its full extension and automatically stops.

The fascia cover, side rails and fabric traction bar shall all be powder coated to suit.

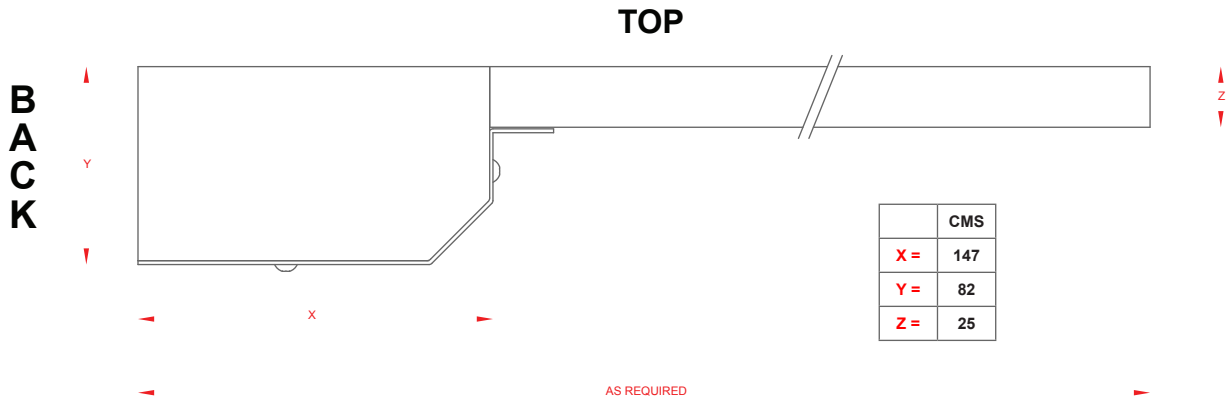
The fabric element can be any of the screen or solid fabrics currently available that have sufficient mechanical strength to withstand the loads of the tensioning system.

Multiple systems can be installed in axial alignment by joining the drive systems in an straight configuration thereby reducing automation costs.

Aspect can be from horizontal to vertical but areas to be covered must be square or rectangular in shape (other shapes are possible but will not incorporate side guide rails).

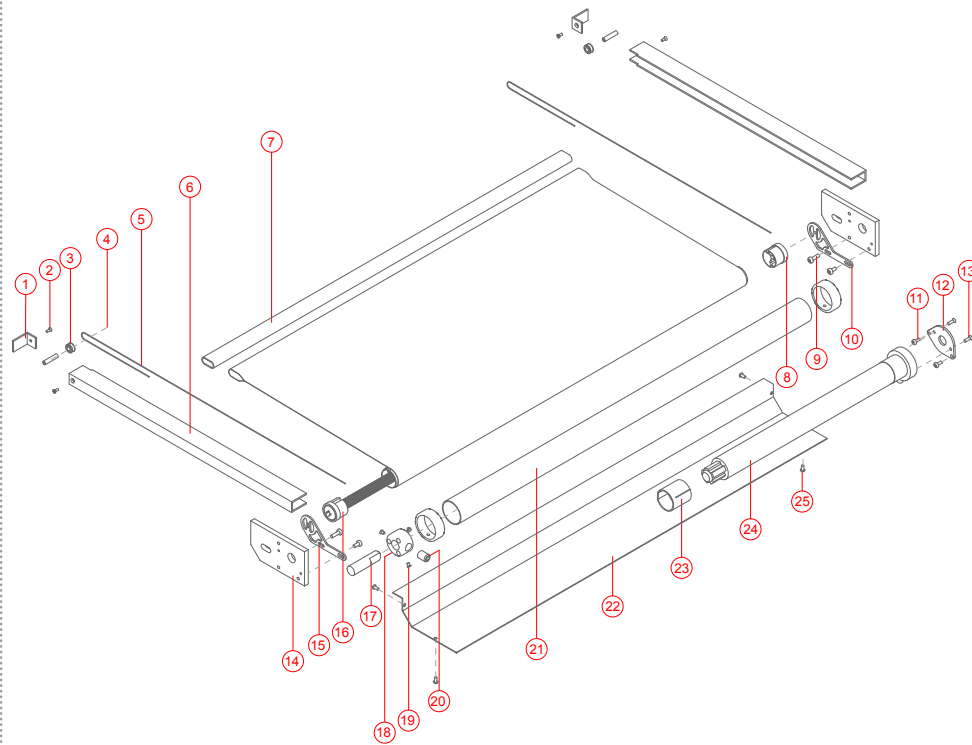
Minimum width	=	650 mm
Maximum width	=	1,400 mm
Minimum drop	=	300 mm
Maximum drop	=	2,500 mm

# CONTEN™ MINI SYSTEM



PROFILE

## CONTEN™ MINI SYSTEM EXPLODED



ITEM	DESCRIPTION
1.	END PIECE
2.	FIXING SCREW
3.	SHEAVE
4.	THREADED AXLE
5.	PULL CABLE
6.	SIDE CHANNEL
7.	BASE RAIL
8.	SPRING SYSTEM TAIL
9.	PLATE MOUNT SCREW
10.	SPRING ADAPTOR PLATE - TAIL
11.	ADAPTOR PLATE SCREW
12.	MOTOR ADAPTOR PLATE
13.	MOTOR FIXING SCREW
14.	END PLATE
15.	SPRING ADAPTOR PLATE - HEAD
16.	SPRING SYSTEM
17.	DRIVE SHAFT
18.	DRIVE BOSS
19.	RIVET
20.	GRUB SCREW
21.	ROLLER TUBE
22.	COVER
23.	MOTOR WHEEL
24.	MOTOR
25.	COVER MOUNT SCREW