

SUPAROLL™ MANUAL

→ INTRODUCTION

➤ As budgets vary and applications demand, the call for a low cost, easy to use, storage and operating system for window covering textiles needs to be answered.

Following in line with the REFLEX™ SUPAROLL™ motorised roller blind system and the REFLEX™ ROLL cassette roller blind system, the inclusion of the new SM40 and SM45, chain operated, roller blind system into the REFLEX™ range comes as a logical decision. The system is considered the best available and is marketed in many countries across the globe, its strength and reliability being well proven.

The system has two sizes of roller to cater for the small (system SM40 = 40 mm tube) and standard (system SM45 = 45 mm tube) window sizes encountered in today's architecture. The inclusion of a metal pull chain finishes the quality feel of the product and adds to the contemporary "industrial" look.

APPLICATION

➤ The SM40 and SM45 roller blinds would be most suited to the range of both commercial and residential windows to approximately 2.5 metres wide and no more than 2.8 metres high. The SM40 has maximum limitations of approximately 1.5 metres wide and 2.0 metres high. The brackets can be affixed to the substrate in any of three aspects; firstly, top fixed to the ceiling or within a pelmet or window reveal, secondly, face fix to the wall or to architraves or thirdly, side fixed into a window reveal. The construction standard 6 gauge, zinc plated, steel fasteners are sufficient in most applications.

The blind would normally be centered on the window and an allowance of at least 30 mm overlap to each side of the glazing is recommended. (More overlap may be necessary if a brownout effect is desired).

The chain operation is smooth and easy and the extent of pull up and down are limited with special chain stops to prevent "over roll" in both the up and down positions.

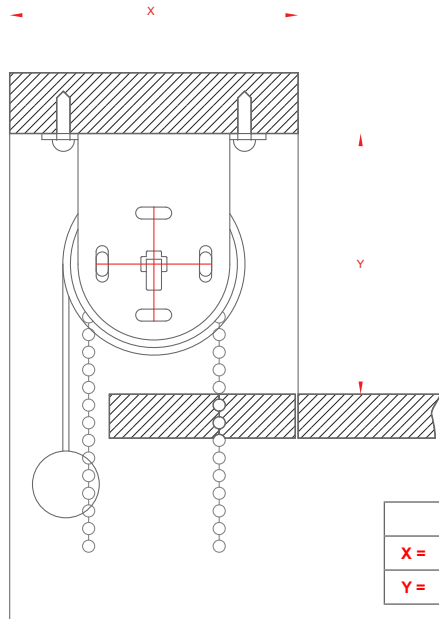
SPECIFICATIONS

➤ The system is comprised of pressed 1.3 mm thick steel brackets, powder coated and situated at the extremities of the roller. The roller is extruded aluminium in mill finish with strengthening ribs (2 on SM40, 3 on SM45) which also act to ensure correct fitting of the fabric element. The chain drive/clutch mechanism can be located on either the right or the left end of the roller tube as required. Bracket and clutch colour can be gloss black or white as required. The total allowance on each side of the system from fabric edge to system extremity is 15 mm (fabric is 30 mm narrower than overall size. Chain shall be nickel plated steel or stainless steel with no visible join. The travel up and down of the fabric shall be limited by the application of clear acrylic end stops fitted in the relative position on the chain.

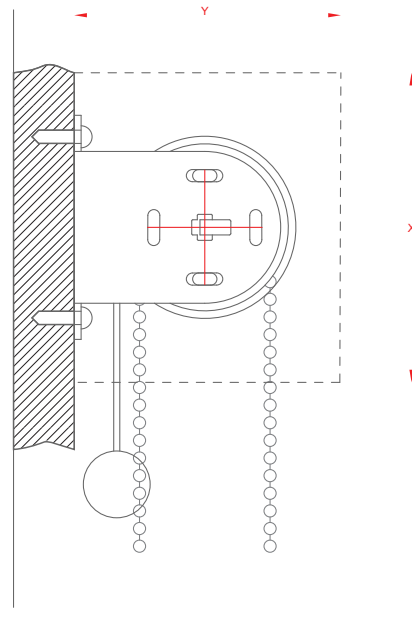
The hem of the fabric shall be trimmed with a circular aluminium base rail in either powder coat or anodised finish as required. The ends of the base rail will be finished with matching plastic end caps (limited colour range).

| | | |
|---------------|---|----------|
| Minimum Width | = | 200 mm |
| Maximum Width | = | 2,500 mm |
| Minimum Drop | = | 300 mm |
| Maximum Drop | = | 2,800 mm |

SUPAROLL™ MANUAL



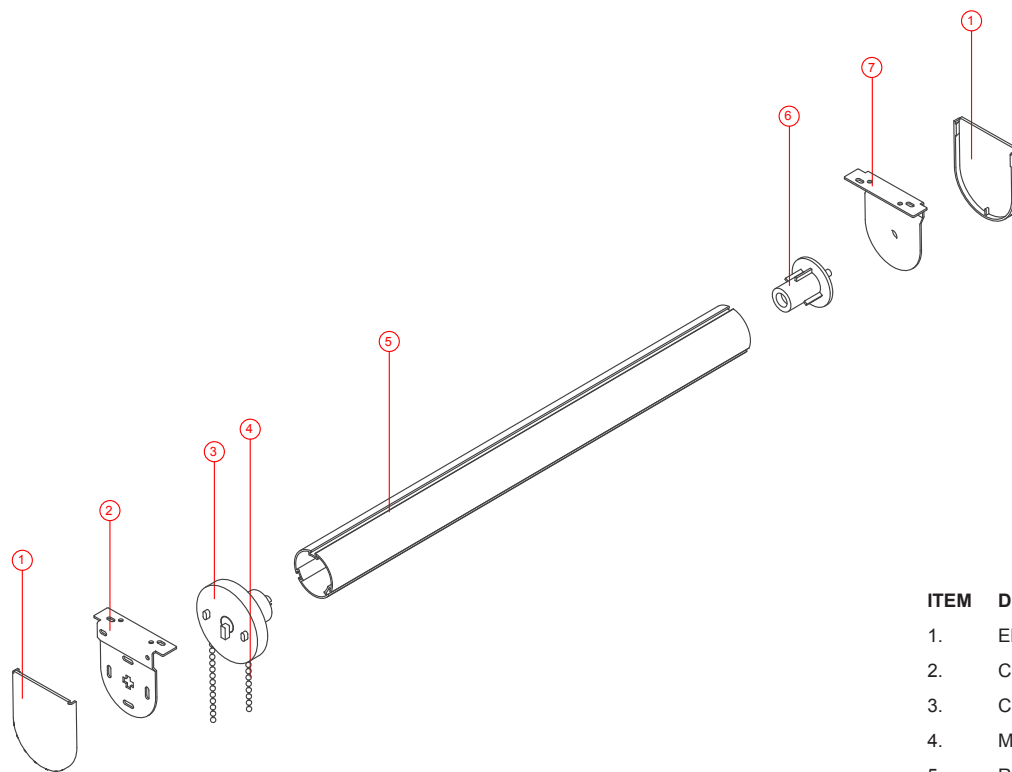
| | SM40 | SM45 |
|-----|------|------|
| X = | 100 | 105 |
| Y = | 85 | 95 |



TOP FIX ARRANGEMENT

FACE FIX ARRANGEMENT

SUPAROLL™ MANUAL EXPLODED



| ITEM | DESCRIPTION |
|------|---------------------|
| 1. | END COVER |
| 2. | CHAIN BRACKET |
| 3. | CHAIN DRIVE |
| 4. | MANUAL SYSTEM CHAIN |
| 5. | ROLLER TUBE |
| 6. | TAIL BEARING |
| 7. | TAIL BRACKET |