

# UNIMOTOR™

## → INTRODUCTION

> To answer the growing demand for an independent drive system to operate as a stand alone, automated power source for cable pulling operation of shading systems with infinite shapes and sizes, **REFLEX™** Shading Systems has developed the **UNIMOTOR™** **UM8** and **UM10** products.

## APPLICATION

> The applications of the **UNIMOTOR™** **UM8** and **UM10** drive systems are almost endless – virtually anything that requires up to 50NM of “pulling power” can be operated by the employment of a **REFLEX™ UNIMOTOR™**. Spring tensioned roller blinds in square, rectangular or triangular shapes can be discretely extended and retracted by wire or cords connected to the **UNIMOTOR™**. Light fittings can be accessed and stage props can be easily and effortlessly retracted using these power units. Lifting weights of up to 50 kilograms over drops up to 6,000 mm are possible with this compact and inexpensive system.

## SPECIFICATION

> The selected electronic tubular motor shall be mounted within a zinc plated, mild steel tube which shall rotate within a pair of nylon, self lubricating, bearing plates within the treated aluminium rail. This rail shall have a separate aluminium cover and end caps attached on completion of installation with stainless steel cap screws.

The pull wire shall be either 1.2 or 1.6 mm diameter stainless steel, nylon coated wire or 1 mm polyester cord with a Kevlar core if required. Colour of the polyester cord shall be beige, grey or black. The pull cord/wire shall be attached to the motor tube by infinitely adjustable slip rings that can be locked into position with grub screws to retain the desired preset position.

The motor limits are fully adjustable and should be set after cord/wire adjustment for the overall systems has been finalised.

The **UNIMOTOR™** can have up to six separate cords/wires to drive any combination of units with the same travel requirements within the weight restrictions. The cord/wire exits can be from either end plate of the system or can exit from one side of the unit.

The **UNIMOTOR™** can be mounted in direct wire line or remotely from the proposed driven product with intermediate and separately supplied sheaves incorporated for the smooth redirection of the cords/wires.

The mounting of the **UNIMOTOR™** shall be through the base of the main rail.

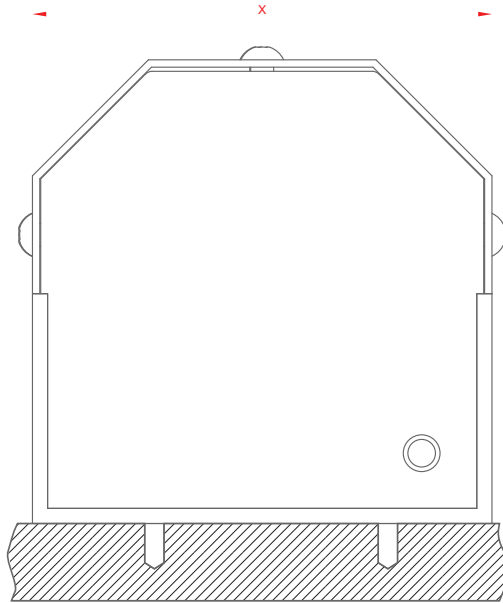
Suitable substructures include - timber, brickwork/concrete or steel with the appropriate fixings.

Standard colour is white powder coat. Other powder coat colours or anodised finishes are available on request.

UM8 = 80 mm x 80 mm x 900 mm long

UM10 = 100 mm x 100 mm x 1,000 mm long

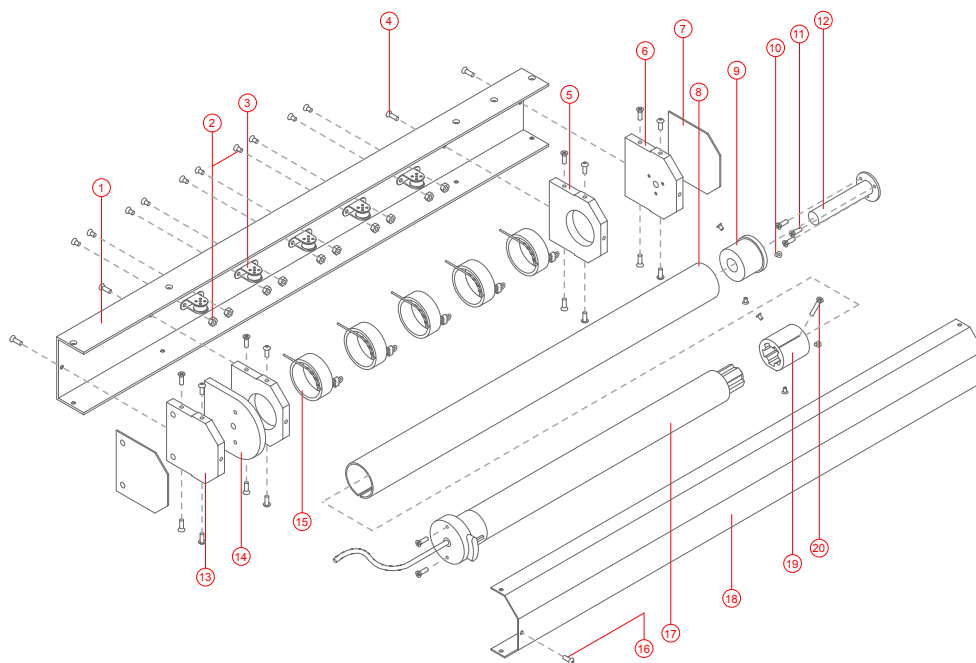
# UNIMOTOR™



	UM8	UM10
X =	80	100
Y =	80	100

PROFILE

## UNIMOTOR™ EXPLODED



### ITEM DESCRIPTION

1. SUPPORT CHANNEL
2. NUT & BOLT
3. CABLE PULLEY
4. PLATE FIXING SCREW
5. SUPPORT PLATE
6. TAIL PLATE
7. END COVER PLATE
8. ROLLER TUBE
9. BEARING
10. RIVET
11. DRIVE THREAD SCREW
12. DRIVE THREAD
13. END PLATE
14. MOTOR PLATE
15. CORD PULL RING
16. COVER MOUNT SCREW
17. MOTOR
18. COVER
19. MOTOR WHEEL
20. MOTOR RETAINING SCREW