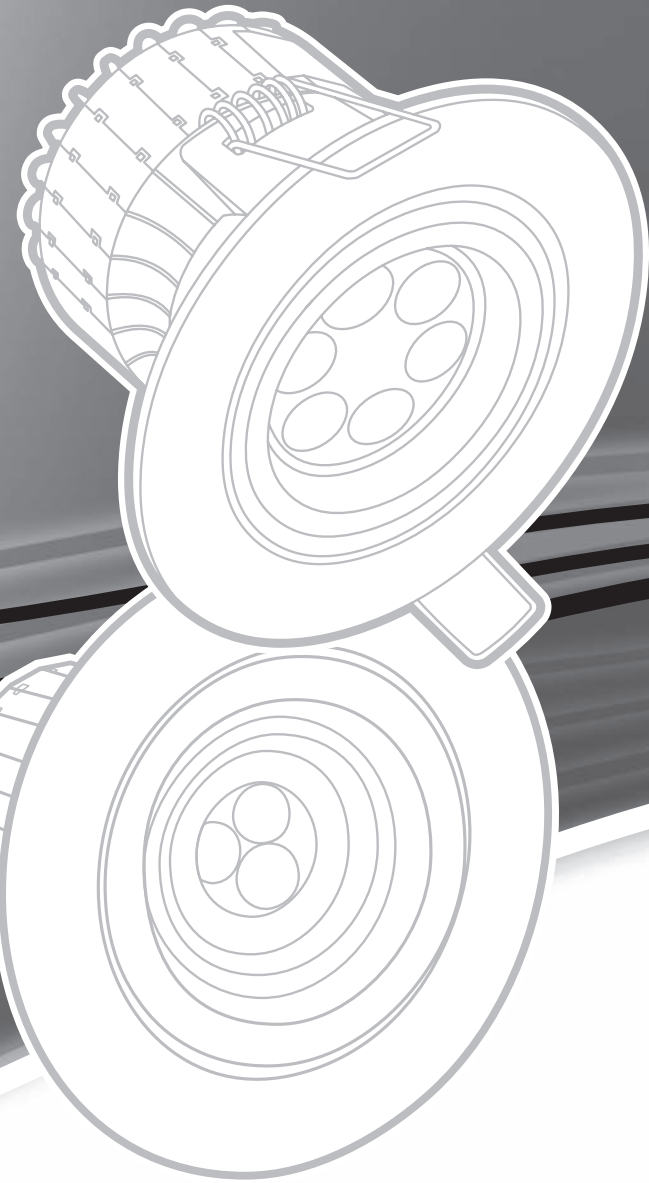


CLIPSAL[®]

by **Schneider** Electric



LED Downlight Kit
L900 Series



Installation Instructions

Contents

1.0	Product Range	3
1.1	8W LED Downlights.....	3
1.2	12W LED Downlights.....	3
2.0	Description	4
3.0	Product Specifications.....	3
3.1	General Data	4
3.2	8W Data.....	4
3.3	12W Data.....	5
4.0	Dimming	6
4.1	Compatibility Chart.....	6
4.2	Eco Switch	6
5.0	Disclaimer.....	6
6.0	Installation Instructions.....	7
6.1	Unit Assembly.....	7
6.2	Installation Spacings.....	7
7.0	Warranty Statement.....	8

1.0 Product Range

8W versions

- L955W/12** 8W LED Downlight Kit, Warm White 55° Lamp (Gimbal fitting)
- L955WF/12** 8W LED Downlight Kit, Warm White 55° Lamp (Fixed fitting)
- L955C/12** 8W LED Downlight Kit, Cool White 55° Lamp (Gimbal fitting)
- L955CF/12** 8W LED Downlight Kit, Cool White 55° Lamp (Fixed fitting)

12W versions

- L960W/12** 12W LED Downlight Kit, Warm White 60° (Gimbal Fitting)
- L960WF/12** 12W LED Downlight Kit, Warm White 60° (Fixed Fitting)
- L960C/12** 12W LED Downlight Kit, Cool White 60° (Gimbal Fitting)
- L960CF/12** 12W LED Downlight Kit, Cool White 60° (Fixed Fitting)
- L935W/12** 12W LED Downlight Kit, Warm White 35° (Gimbal Fitting)
- L935WF/12** 12W LED Downlight Kit, Warm White 35° (Fixed Fitting)
- L935C/12** 12W LED Downlight Kit, Cool White 35° (Gimbal Fitting)
- L935CF/12** 12W LED Downlight Kit, Cool White 35° (Fixed Fitting)

*These products are available in a White (WH) or Brushed Chrome (BC) fitting. Simply add the colour code to the end of the above catalogue numbers. For further information, please contact your Clipsal Sales Representative.

2.0 Description

The Clipsal L900 Series of LED downlights provides ultimate performance with superior thermal management. Comparable with most standard MR16 downlights, these fittings are ideal for any application requiring an energy efficient alternative lighting solution.

3.0 Product Specifications

3.1 General Data

All downlights are supplied complete with a gimbal or fixed fixture and driver that come complete with flex & plug.

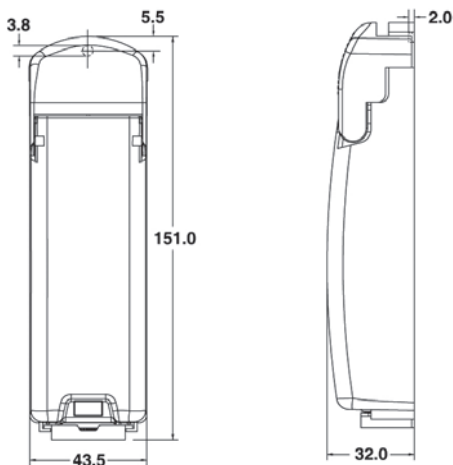
IP Rating: 20

Nominal Voltage: 240

Nominal Frequency: 50Hz

Power Factor: 0.95

Max. Ambient Temperature: 50°C



Note: Do not cover downlight luminaries, as this product requires ventilation to maintain its performance characteristics.

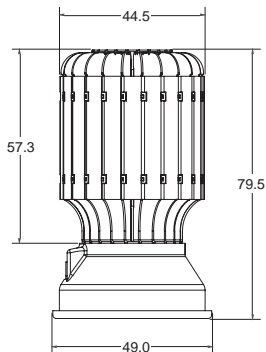
3.2 8W Data

Secondary Voltage: 12V d.c.

Circuit Wattage: 11W

Current: 900mA constant current

Lamp Life: 35,000hrs



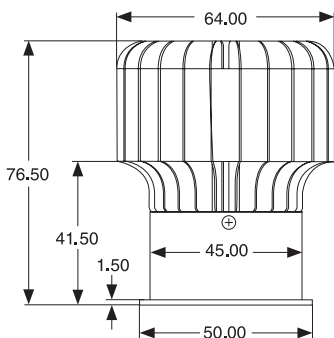
3.3 12W Data

Secondary Voltage: 24V d.c.

Circuit Wattage: 15.5W

Current: 700mA constant current

Lamp Life: 50,000hrs



4.0 Dimming

4.1 Unit Assembly

Clipsal recommends universal dimming technology as the best solution with LED downlights. The below chart is intended as a reference guide to assist with installation. For the most up to date information, as well as how to install Clipsal LEDs with the rest of the dimmer range, please visit clipsal.com/load

Cat. Number	Mode	Dimmer Type	Min. Number of Lamps				Dimming Range
			8W		12W		
			Min	Max	Min	Max	
32E450UDM	Universal	Mech	2	38	1	28	5 – 100%
L5504D2U	Universal	C-Bus	2	32	1	20	5 – 100%
L5504D2A	Leading Edge	C-Bus	2	32	1	20	5 – 100%
L5508D1A	Leading Edge	C-Bus	2	16	1	10	5 – 100%

Disclaimer

We have extensively tested our Clipsal dimmers and LED products together in our laboratories and are confident they interact with each other as to the specifications in the installation instruction. However it should be noted that our testing can not account for installation variables such as variation in mains supply voltage, cable capacitance, electrical noise, transients and surges. These variables have the potential to affect the performance of these sensitive electronic devices. Please note that the information provided is correct to the best of our knowledge as at the date of the publication.

4.2 EcoSwitch

The Clipsal LED driver contains an EcoSwitch that is located near the primary input terminals. When this switch is in the FN1 position the driver is running at it's highest efficiency.

If you are experiencing dimming compatibility issues (especially with leading edge models) switching to FN2 will increase compatibility. However the efficiency of the driver will drop by 0.5W.

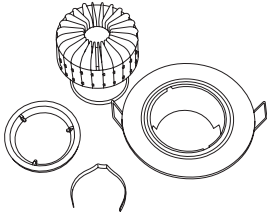
Warning

Do not change function 'FN' switch when power is on. Ensure supply is isolated before removing the terminal cover.

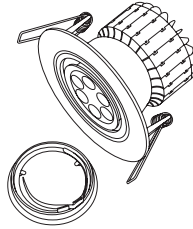
6.0 Installation Instructions

6.1 Unit Assembly

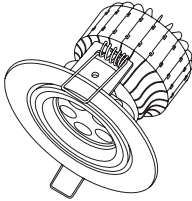
1. Identify your fixture fixing type.



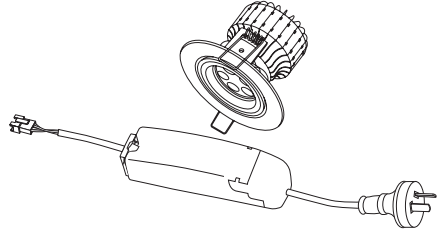
2. Install front clip type.



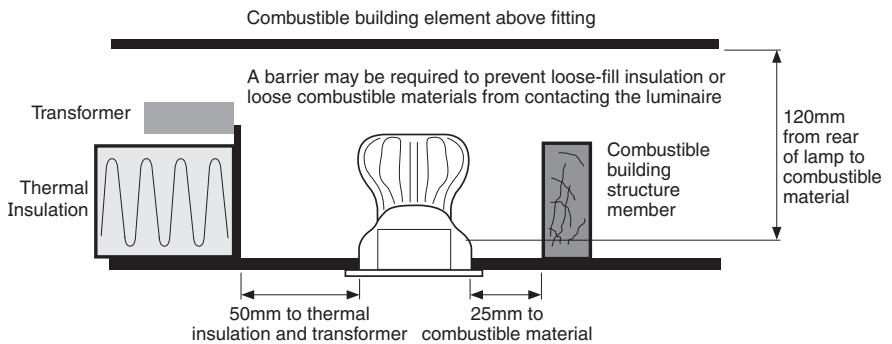
3. Full assembly of LED downlight.



4. Wire the transformer and position.



6.2 Installation Spacings



7.0 Warranty

1. The benefits conferred herein are in addition to, and in no way shall be deemed to derogate; either expressly or by implication, any or all other rights and remedies in respect to the Clipsal by Schneider Electric product, which the consumer has under the Commonwealth Trade Practices Act or any other similar State or Territory Laws.
2. The warrantor is Schneider Electric (Australia) Pty Ltd of 33-37 Port Wakefield Road, Gepps Cross, South Australia 5094. With registered offices in all Australian states.
3. This Clipsal by Schneider Electric product is guaranteed against faulty workmanship and materials for a period of two (2) years from the date of installation.
4. Schneider Electric (Australia) Pty Ltd reserves the right, at its discretion, to either repair free of parts and labour charges, replace or offer refund in respect to any article found to be faulty due to materials, parts or workmanship.
5. This warranty is expressly subject to the Clipsal by Schneider Electric product being installed, wired, tested, operated and used in accordance with the manufacturer's instructions.
6. All costs of a claim shall be met by Schneider Electric (Australia) Pty Ltd, however should the product that is the subject of the claim be found to be in good working order all such costs shall be met by the claimant.
7. When making a claim the consumer shall forward the Clipsal by Schneider Electric product to the nearest office of Schneider Electric (Australia) Pty Ltd with adequate particulars of the defect within 28 days of the fault occurring. The product should be returned securely packed, complete with details of the date and place of purchase, description of load, and circumstances of malfunction.



Schneider Electric (Australia) Pty Ltd

Contact us: clipsal.com/feedback

National Customer Care Enquiries:

Tel 1300 2025 25

Fax 1300 2025 56

clipsal.com

Schneider Electric (Australia) Pty Ltd reserves the right to change specifications, modify designs and discontinue items without incurring obligation and whilst every effort is made to ensure that descriptions, specifications and other information in this catalogue are correct, no warranty is given in respect thereof and the company shall not be liable for any error therein.

© 2011 Schneider Electric. All Rights Reserved.
Trademarks are owned by Schneider Electric Industries SAS or its affiliated companies.