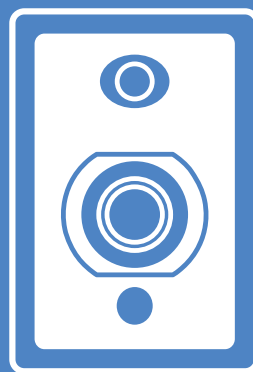
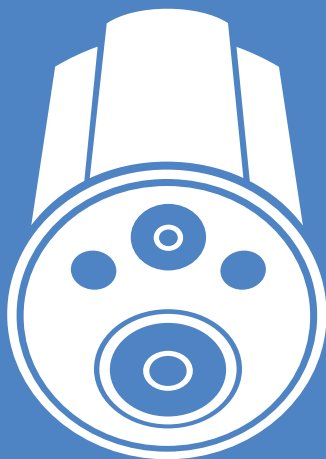


Installation Instructions

Concealed Audio



Congratulations on choosing Krix

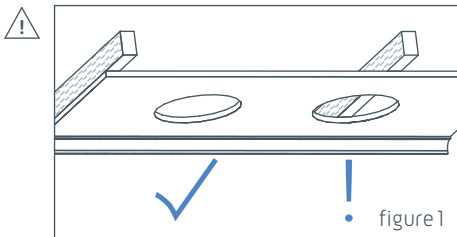
Your Krix speakers are designed to reproduce the highest quality sound. To get the best performance from your speakers please read these installation instructions thoroughly as there are many factors that influence the performance of your speakers. If you have any difficulties please speak with one of our friendly authorised Krix dealers.

installation

before you begin

⚠ **Please read the disclaimer** on the back of this manual.

- After discussion with your local Krix distributor, or installation consultant, to determine the best location for your loudspeakers. Check for any obstructions, such as electrical wiring, plumbing, stud work or air conditioning ducts before commencing the installation. (figure 1)



- Also ensure that there is enough ceiling/wall space to accommodate the speaker enclosure.

connecting

To ensure optimum performance it is important that your speaker system is connected properly:

⚠ **Turn off all electronic equipment** and disconnect from the power point.

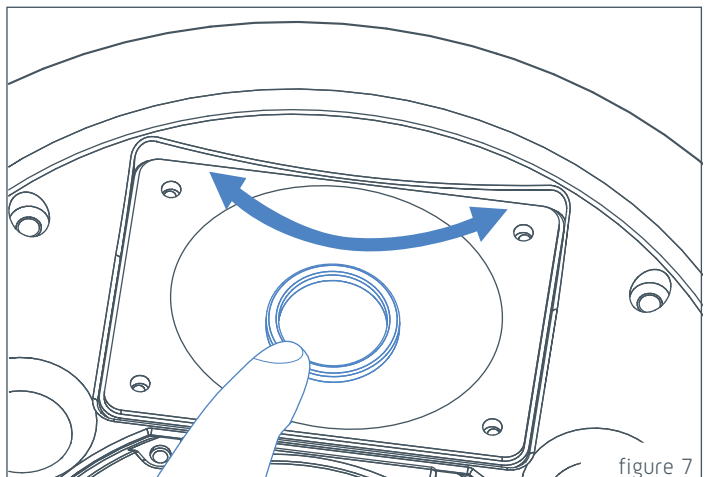
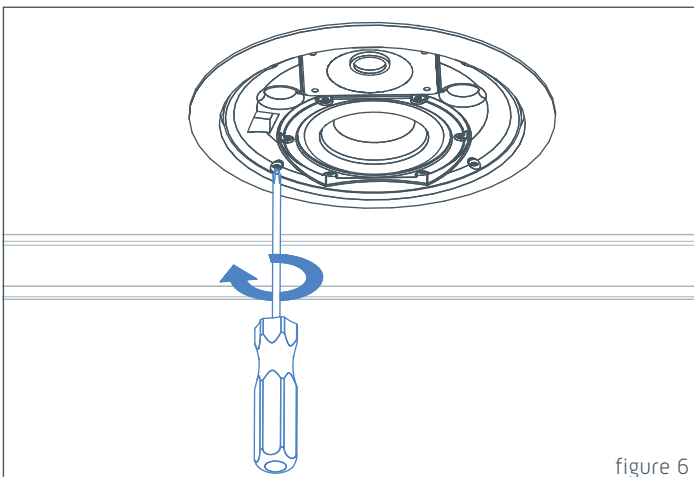
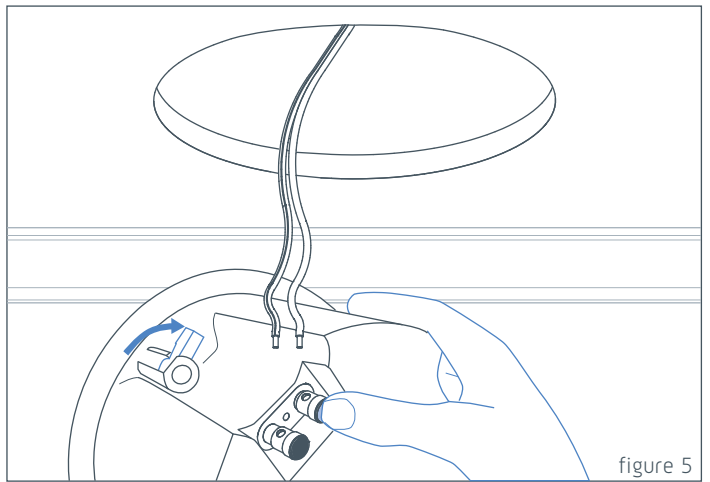
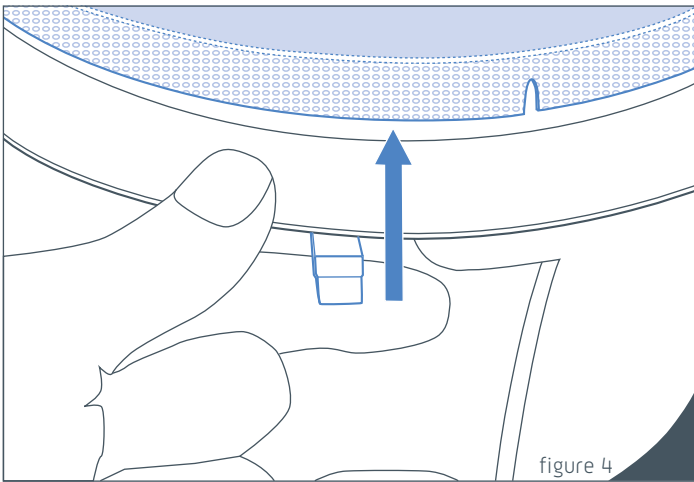
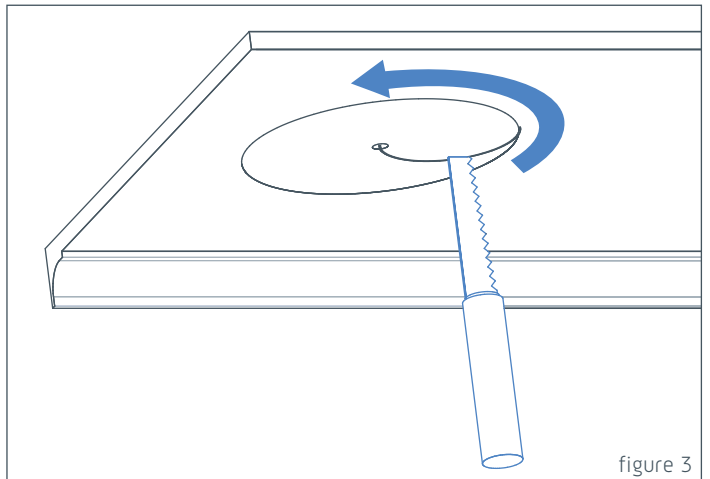
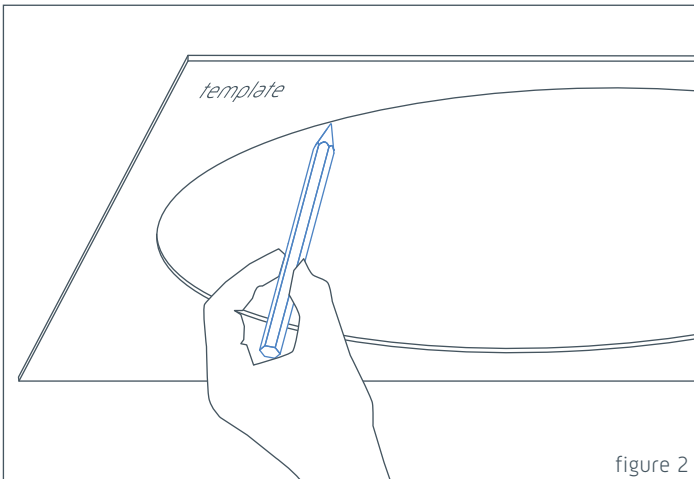
- Follow the connection instructions supplied with your amplifier, CD/DVD, hard disk recorder, video player etc.
- Install speaker cable in wall or ceiling cavity, or run cable along wall surface. Allow approximately 300mm of excess cable to facilitate loudspeaker installation.
- Follow the connection instructions supplied with your amplifier to connect the speaker cables to amplifier. Take care to assign the same cable colour or trace to the positive (+) connector on the amplifier as the positive (+) connector on the speaker.
- Prepare speaker cables for connecting to speakers by neatly stripping cable ends.

⚠ Care should be taken to **eliminate loose strands of wire** that may be present a short circuit hazard.

installation

- Once the correct placement the speakers has been determined, use the cardboard insert marked 'template' (from the internal packing) to trace the required cut-out onto the ceiling/wall. (figure 2 - Note: Atmospherix or Hemispherix round template is shown, the Ecliptix template is rectangular)
- Drill a hole inside the marked cut-out. Using a fine gyprock saw to cut around the inside of the marked cut-out. (figure 3)
- Remove the circular offcut and insert the speaker to check the hole is the correct size. Enlarge the cut-out if required.
- To install the speaker, first remove the grille. To remove the speaker grille use the mounting clamps located around the edge of the enclosure. Swing the mounting clamps out so that they are 90 degrees to the enclosure, and gently push upwards on the clamps until the grille lifts. Carefully lift out the grille without bending. (Figure 4)
- Pull the stripped speaker cable through the ceiling/wall opening. Push and hold down the positive (+) red binding post on the speaker and insert the positive (+) wire through hole in post. Take care to assign the same cable colour or trace to the positive (+) connector on the amplifier, as the positive (+) connector on the speaker. Repeat connection process with the negative (-) black binding post and the negative (-) wire. (Figure 5)
- Ensure all mounting clamps are swung back against the speaker enclosure (Figure 5), so that the speaker can be easily inserted into the ceiling cut-out. Once the speaker has been located in the ceiling/wall, use a Philips head screwdriver to tighten all mounting screws. Be careful not to over tighten screws, as this may strip the clamp, or crush the gyprock surface. As the screws are tightened, the mounting clamps will automatically swing out over the gyprock and clamp the speaker in place. (Figure 6)
- Concealed audio products may feature a pivoting tweeter which allows the high frequency sound to be directed as desired, depending on your environment and preference. Gently press on the round outer edge of the tweeter frame to tilt the tweeter to the desired position. Be careful not touch the tweeter dome, as this may damage to the tweeter. (Figure 7)
- If painting the grille and speaker frame is not required, gently fit the metal grille to the front of the speaker housing.
- If the grille and speaker frame require painting, ensure the black front baffle is masked off to protect the speaker drivers. When painting the metal grille it may necessary to thin down the paint to avoiding blocking the holes in the grille. After all paint is dry, fit the grille to the front of the speaker housing.

installation



Krix Loudspeakers Pty Ltd
14 Chapman Road
Hackham SA 5163
Australia

T 61 8 8384 3433
F 61 8 8384 3419
listen@krix.com

Rev #10003

krix.com



disclaimer

Cutting or drilling into anything can be dangerous. You should make sure you know what is behind or inside the surface that you are cutting into before you start to cut. For example, you might strike an electrical cable.

If you do not feel entirely confident about installing this product, contact a professional installer.

disclaimer

To the extent permissible by law:

All warranties, conditions, representations, promises and statements relating howsoever to this product whether express or implied and whether in contract or tort are excluded to the extent permitted by law; and

Our liability to you under a condition or warranty (if any) implied into this sale and purchase agreement relating to this product by the Trade Practices Act 1974 (as amended) or any other law (whether a law of Australia or any other country) other than a condition implied by Section 69 of the said Act is limited at our option to:

the replacement of the product; or
the supply of an equivalent product; or
the repair of the product.

If you do not accept the above conditions, return this product (in the original packaging) with proof of purchase for a full refund.